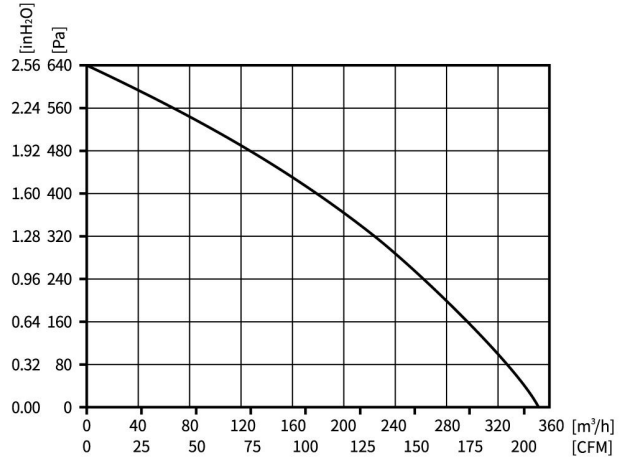
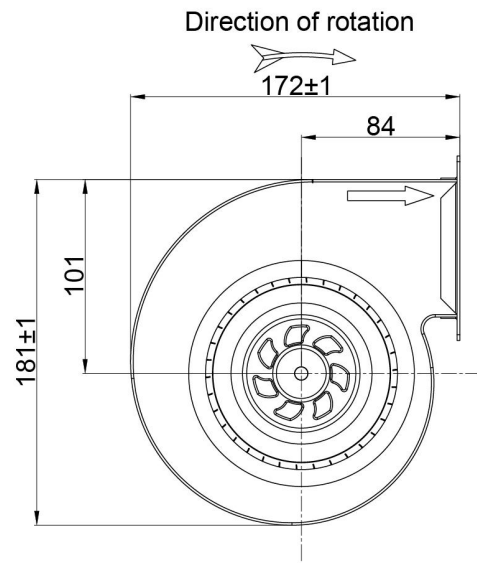
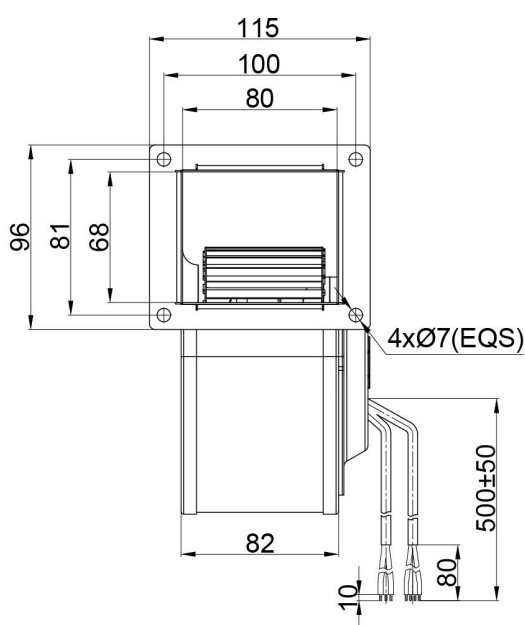


# EC Blower Single Inlet Ø120mm



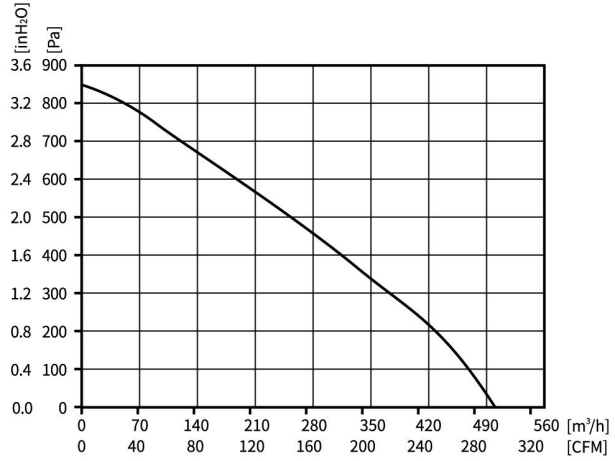
Motor Type EC BRUSHLESS EXTERNAL ROTOR MOTOR	Speed Control 0-10VDC/PWM	Protection Type IP55	Insulation Class B	Operating Temperature -25°C ~ +60°C	Weight 1.55KG	Wiring Mode E1
---	------------------------------	-------------------------	-----------------------	--	------------------	-------------------

Single Inlet Blowers

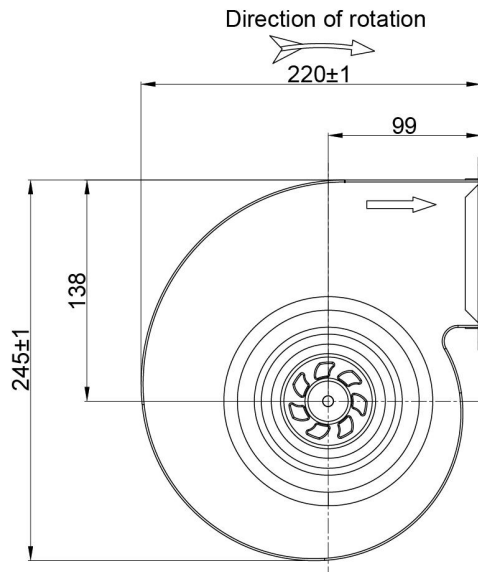
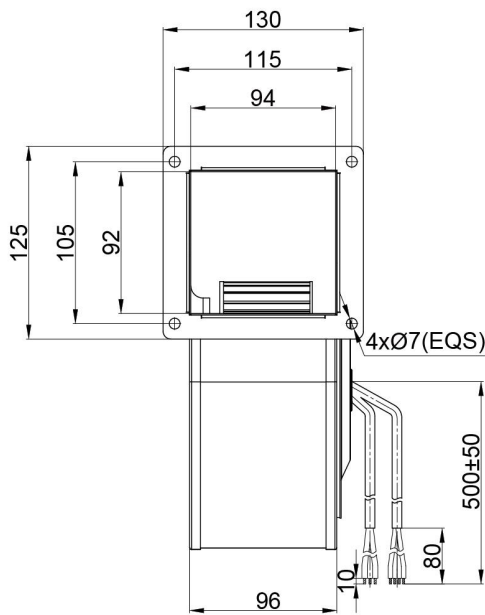


Model	Motor	Bearing System	Rated Voltage	Frequency	Rated Current	Rated Power	Rated Speed	Air Flow	Air Pressure	Sound Level
Part No.	Type	B/S	VAC	Hz	A	W	RPM	M <sup>3</sup> /H	Pa	dB(A)
PS3N120B2E-RZ0	BE72EC	BALL	230	50/60	0.55	72	2500	350	640	61

# EC Blower Single Inlet Ø140mm



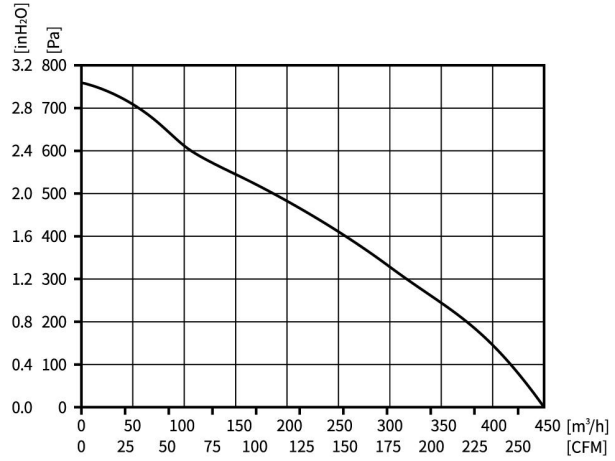
Motor Type EC BRUSHLESS EXTERNAL ROTOR MOTOR	Speed Control 0-10VDC/PWM	Protection Type IP55	Insulation Class B	Operating Temperature -25°C ~ +60°C	Weight 2.15KG	Wiring Mode E1
---	------------------------------	-------------------------	-----------------------	--	------------------	-------------------



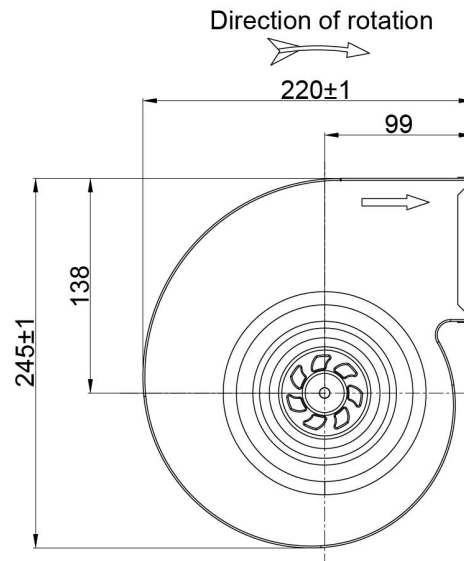
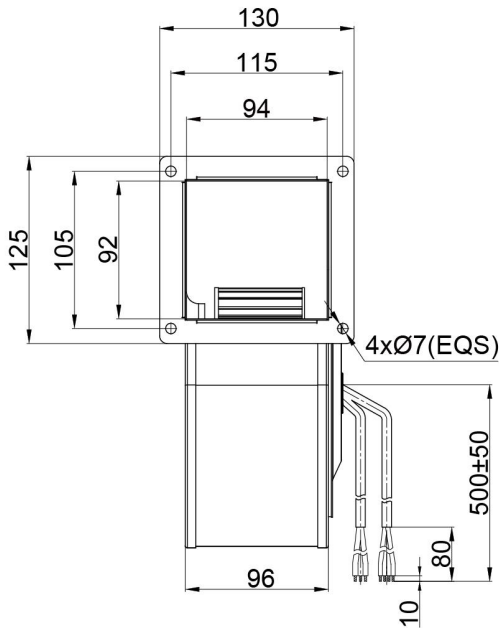
Single Inlet Blowers

Model	Motor	Bearing System	Rated Voltage	Frequency	Rated Current	Rated Power	Rated Speed	Air Flow	Air Pressure	Sound Level
Part No.	Type	B/S	VAC	Hz	A	W	RPM	M <sup>3</sup> /H	Pa	dB(A)
PS3N140B2E-RP0	BE72EC	BALL	230	50/60	0.61	85	1800	500	850	66

# EC Blower Single Inlet Ø140mm



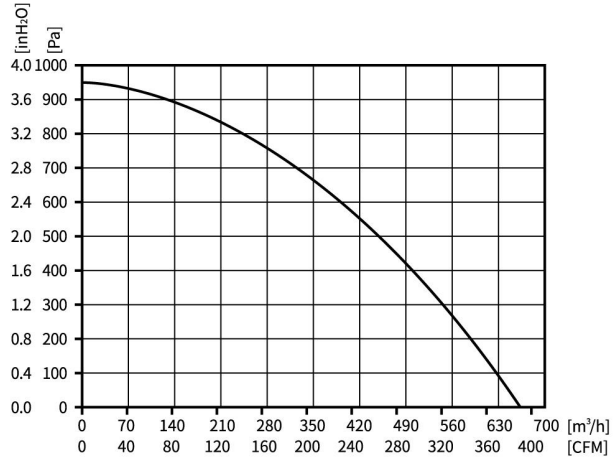
Motor Type EC BRUSHLESS EXTERNAL ROTOR MOTOR	Speed Control 0-10VDC/PWM	Protection Type IP55	Insulation Class B	Operating Temperature -25°C ~ +60°C	Weight 2.4KG	Wiring Mode E1
---	------------------------------	-------------------------	-----------------------	--	-----------------	-------------------



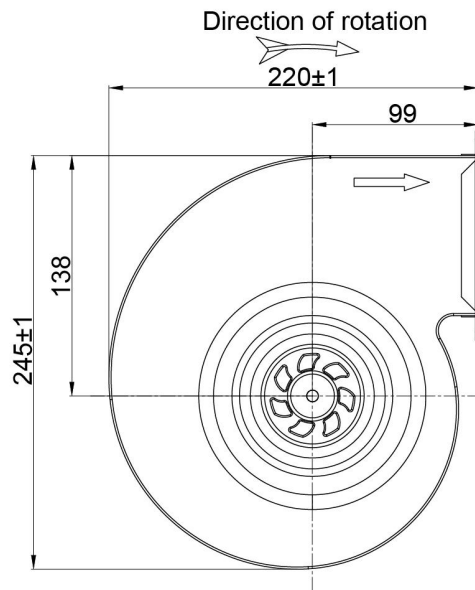
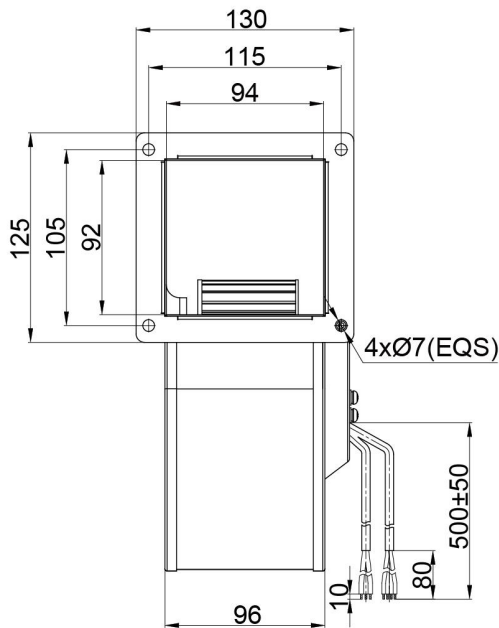
Single Inlet Blowers

Model	Motor	Bearing System	Rated Voltage	Frequency	Rated Current	Rated Power	Rated Speed	Air Flow	Air Pressure	Sound Level
Part No.	Type	B/S	VAC	Hz	A	W	RPM	M <sup>3</sup> /H	Pa	dB(A)
PS3N140B2E-RZ0	BE72EC	BALL	230	50/60	0.6	85	1700	450	750	65

# EC Blower Single Inlet Ø140mm



Motor Type EC BRUSHLESS EXTERNAL ROTOR MOTOR	Speed Control 0-10VDC/PWM	Protection Type IP55	Insulation Class B	Operating Temperature -25°C ~ +60°C	Weight 2.8KG	Wiring Mode E1
---	------------------------------	-------------------------	-----------------------	--	-----------------	-------------------

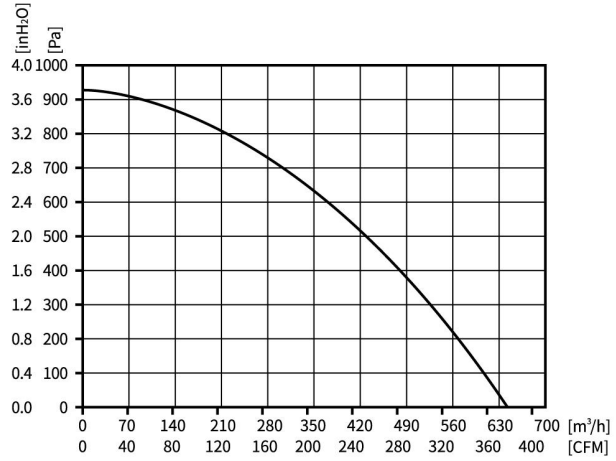


Single Inlet Blowers

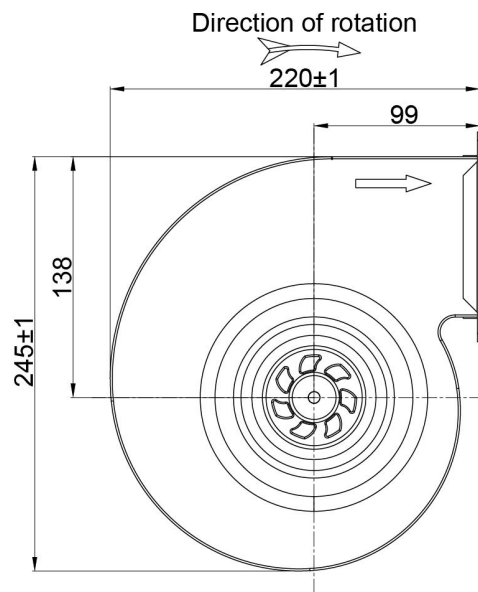
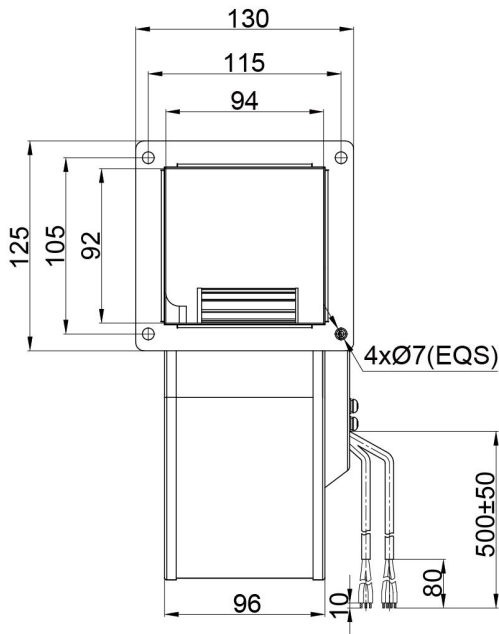
Model	Motor	Bearing System	Rated Voltage	Frequency	Rated Current	Rated Power	Rated Speed	Air Flow	Air Pressure	Sound Level
Part No.	Type	B/S	VAC	Hz	A	W	RPM	M <sup>3</sup> /H	Pa	dB(A)
PS3N140B2E-TP0	BE72EC	BALL	230	50/60	0.85	115	2000	650	950	67



# EC Blower Single Inlet Ø140mm



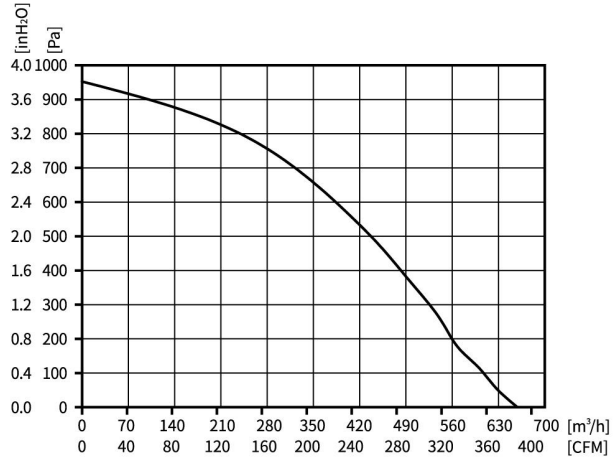
Motor Type EC BRUSHLESS EXTERNAL ROTOR MOTOR	Speed Control 0-10VDC/PWM	Protection Type IP55	Insulation Class B	Operating Temperature -25°C ~ +60°C	Weight 2.8KG	Wiring Mode E1
---	------------------------------	-------------------------	-----------------------	--	-----------------	-------------------



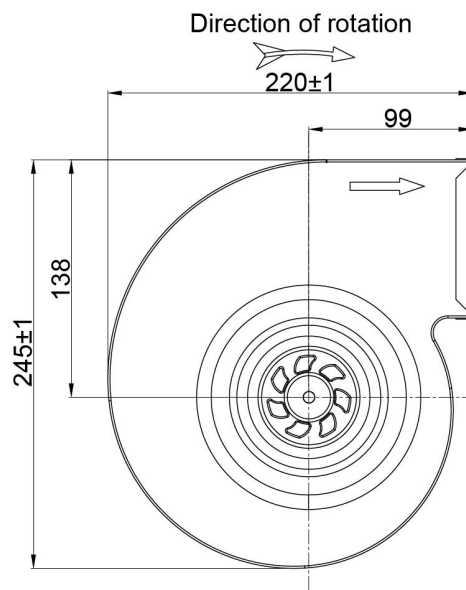
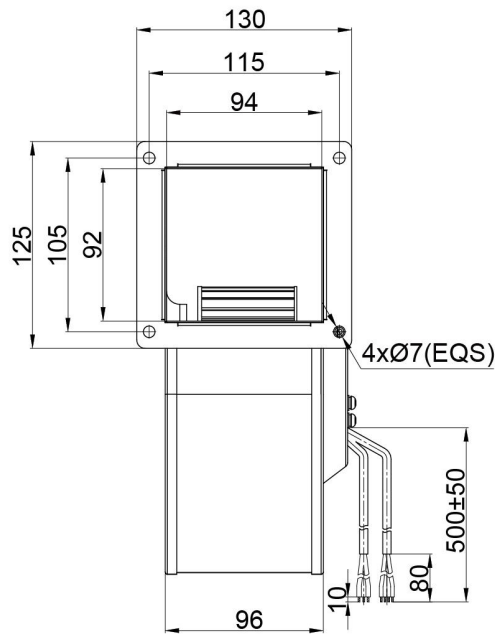
Single Inlet Blowers

Model	Motor	Bearing System	Rated Voltage	Frequency	Rated Current	Rated Power	Rated Speed	Air Flow	Air Pressure	Sound Level
Part No.	Type	B/S	VAC	Hz	A	W	RPM	M <sup>3</sup> /H	Pa	dB(A)
PS3N140B2E-TZ0	BE72EC	BALL	230	50/60	0.85	115	2000	640	920	67

# EC Blower Single Inlet Ø160mm



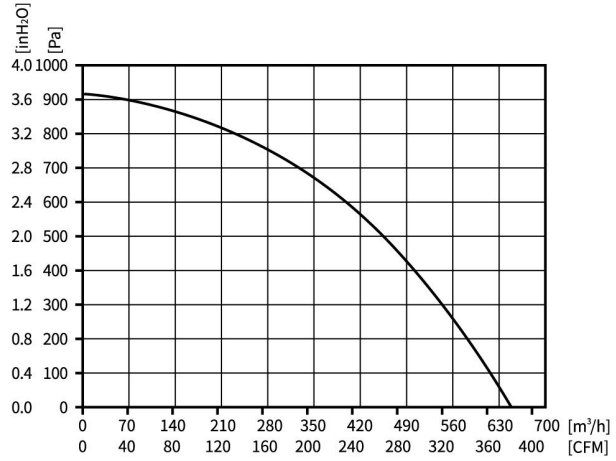
Motor Type EC BRUSHLESS EXTERNAL ROTOR MOTOR	Speed Control 0-10VDC/PWM	Protection Type IP55	Insulation Class B	Operating Temperature -25°C ~ +60°C	Weight 2.4KG	Wiring Mode E1
---	------------------------------	-------------------------	-----------------------	--	-----------------	-------------------



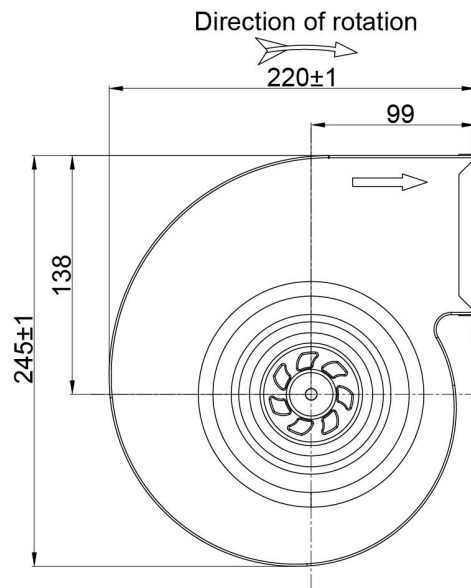
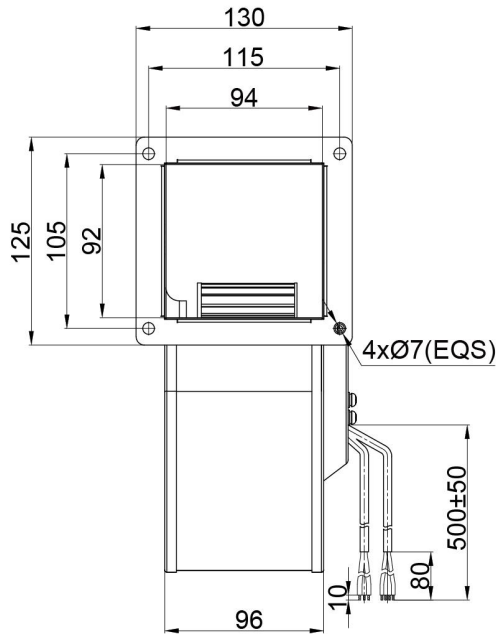
Single Inlet Blowers

Model	Motor	Bearing System	Rated Voltage	Frequency	Rated Current	Rated Power	Rated Speed	Air Flow	Air Pressure	Sound Level
Part No.	Type	B/S	VAC	Hz	A	W	RPM	M <sup>3</sup> /H	Pa	dB(A)
PS3N160B2E-TP0	BE72EC	BALL	230	50/60	1.2	170	2000	660	950	67

# EC Blower Single Inlet Ø160mm



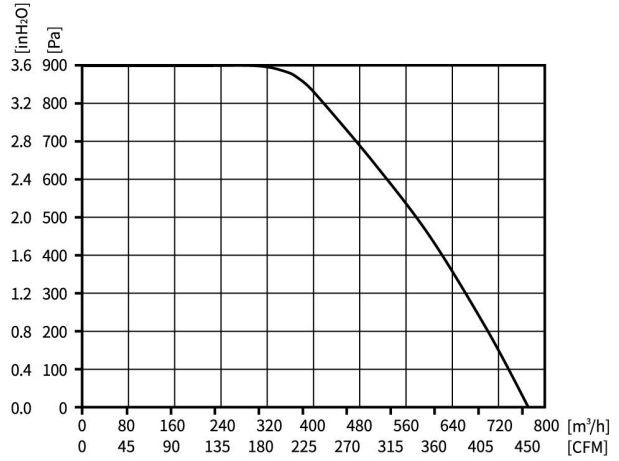
Motor Type EC BRUSHLESS EXTERNAL ROTOR MOTOR	Speed Control 0-10VDC/PWM	Protection Type IP55	Insulation Class B	Operating Temperature -25°C ~ +60°C	Weight 2.8KG	Wiring Mode E1
---	------------------------------	-------------------------	-----------------------	--	-----------------	-------------------



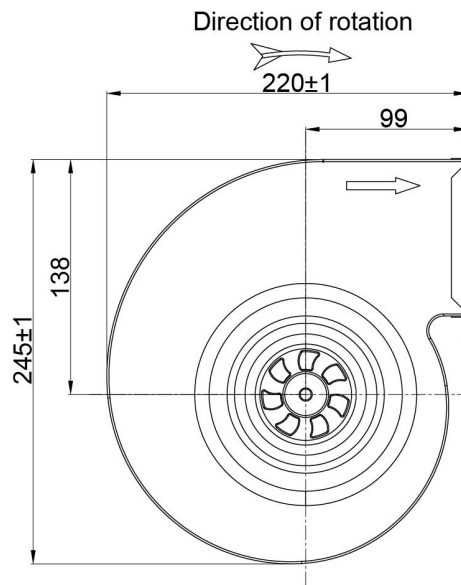
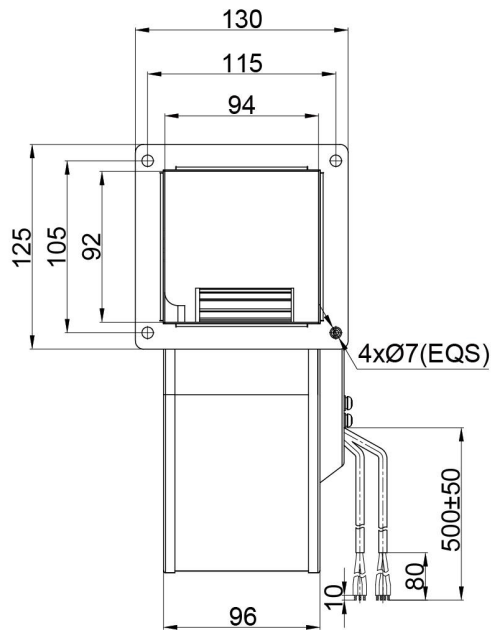
Single Inlet Blowers

Model	Motor	Bearing System	Rated Voltage	Frequency	Rated Current	Rated Power	Rated Speed	Air Flow	Air Pressure	Sound Level
Part No.	Type	B/S	VAC	Hz	A	W	RPM	M <sup>3</sup> /H	Pa	dB(A)
PS3N160B2E-TZ0	BE72EC	BALL	230	50/60	1.1	155	1900	640	910	68

# EC Blower Single Inlet Ø160mm



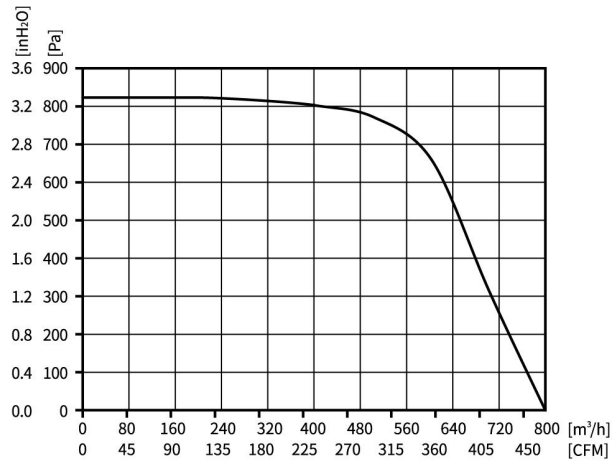
Motor Type EC BRUSHLESS EXTERNAL ROTOR MOTOR	Speed Control 0-10VDC/PWM	Protection Type IP55	Insulation Class B	Operating Temperature -25°C ~ +60°C	Weight 2.4KG	Wiring Mode E2
---	------------------------------	-------------------------	-----------------------	--	-----------------	-------------------



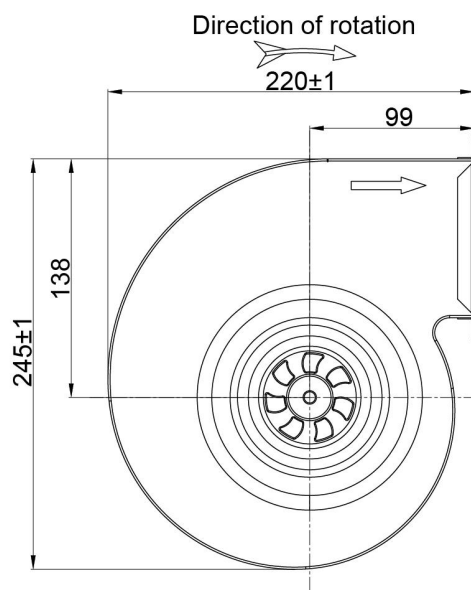
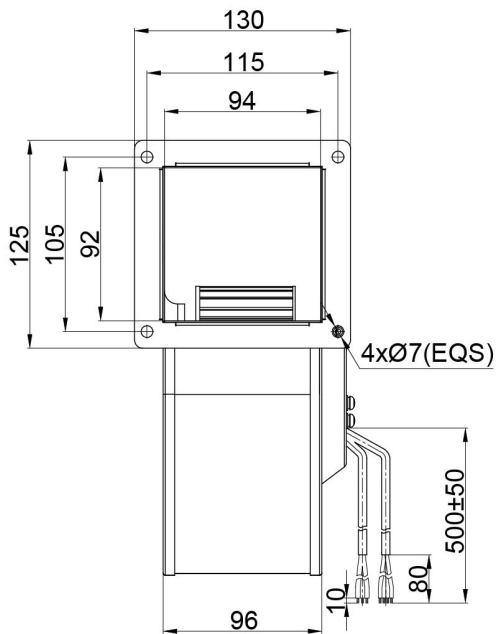
Single Inlet Blowers

Model	Motor	Bearing System	Rated Voltage	Frequency	Rated Current	Rated Power	Rated Speed	Air Flow	Air Pressure	Sound Level
Part No.	Type	B/S	VAC	Hz	A	W	RPM	M <sup>3</sup> /H	Pa	dB(A)
PS3N160B2E-MP0	BE92EC	BALL	230	50/60	1.55	220	2300	770	900	71

# EC Blower Single Inlet Ø160mm



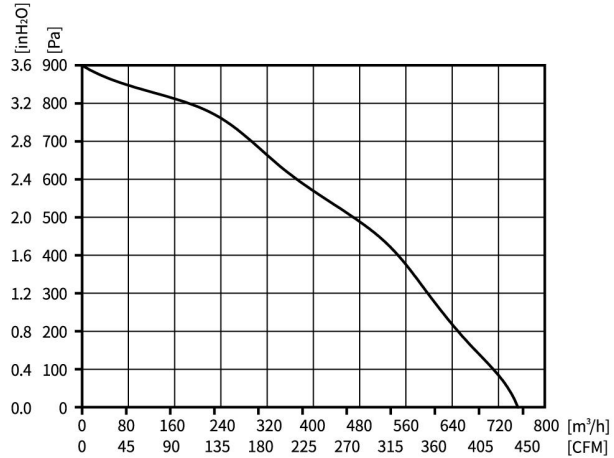
Motor Type EC BRUSHLESS EXTERNAL ROTOR MOTOR	Speed Control 0-10VDC/PWM	Protection Type IP55	Insulation Class B	Operating Temperature -25°C ~ +60°C	Weight 2.8KG	Wiring Mode E2
---	------------------------------	-------------------------	-----------------------	--	-----------------	-------------------



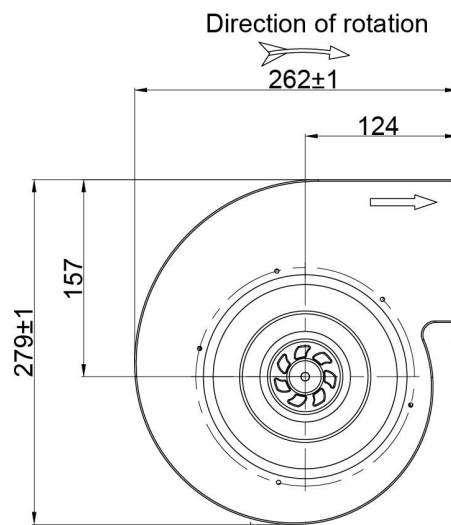
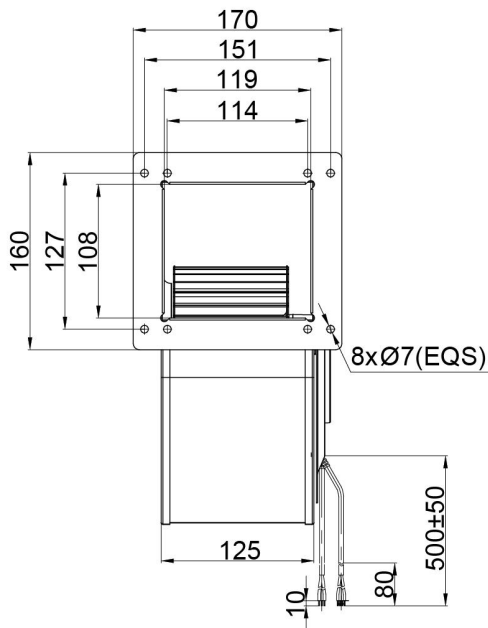
Single Inlet Blowers

Model	Motor	Bearing System	Rated Voltage	Frequency	Rated Current	Rated Power	Rated Speed	Air Flow	Air Pressure	Sound Level
Part No.	Type	B/S	VAC	Hz	A	W	RPM	M <sup>3</sup> /H	Pa	dB(A)
PS3N160B2E-MZ0	BE92EC	BALL	230	50/60	1.6	220	2300	800	820	73

# EC Blower Single Inlet Ø180mm



Motor Type EC BRUSHLESS EXTERNAL ROTOR MOTOR	Speed Control 0-10VDC/PWM	Protection Type IP55	Insulation Class B	Operating Temperature -25°C ~ +60°C	Weight 3.7KG	Wiring Mode E1
---	------------------------------	-------------------------	-----------------------	--	-----------------	-------------------

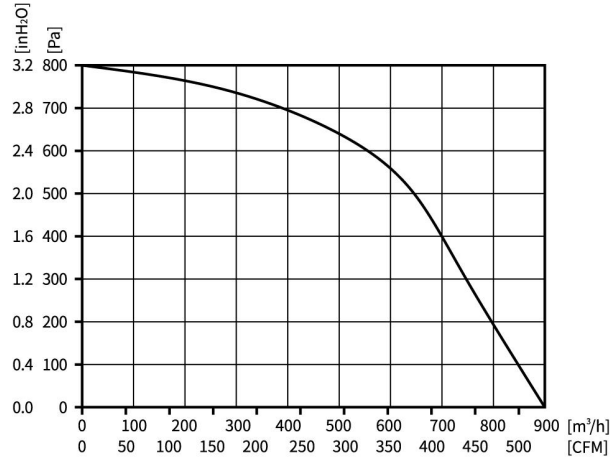


Single Inlet Blowers

Model	Motor	Bearing System	Rated Voltage	Frequency	Rated Current	Rated Power	Rated Speed	Air Flow	Air Pressure	Sound Level
Part No.	Type	B/S	VAC	Hz	A	W	RPM	M <sup>3</sup> /H	Pa	dB(A)
PS3N180B2E-TZ0	BE72EC	BALL	230	50/60	1.2	170	1550	750	900	66

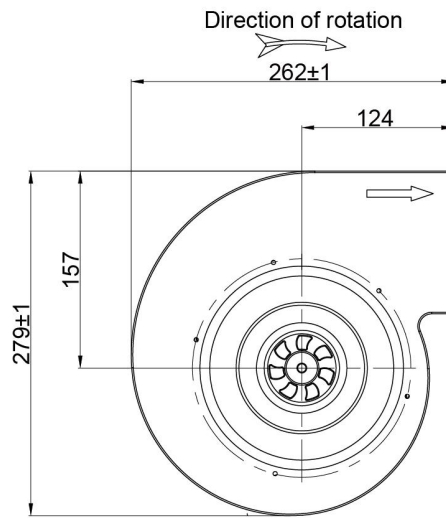
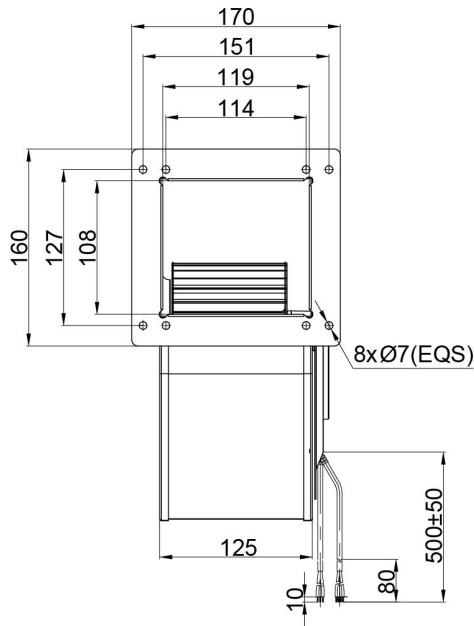


# EC Blower Single Inlet Ø180mm



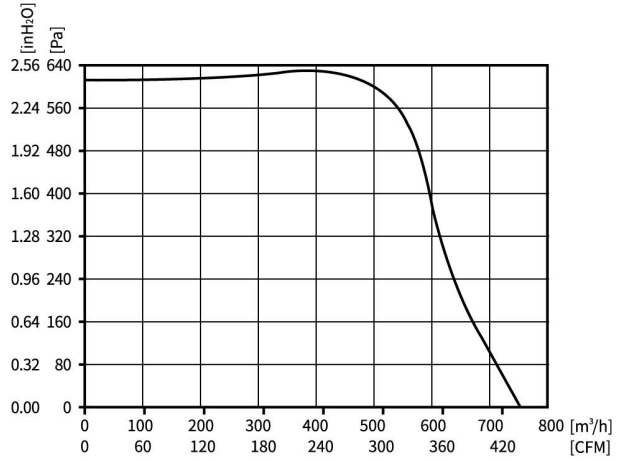
Motor Type EC BRUSHLESS EXTERNAL ROTOR MOTOR	Speed Control 0-10VDC/PWM	Protection Type IP55	Insulation Class B	Operating Temperature -25°C ~ +60°C	Weight 3.9KG	Wiring Mode E2
---	------------------------------	-------------------------	-----------------------	--	-----------------	-------------------

Single Inlet Blowers

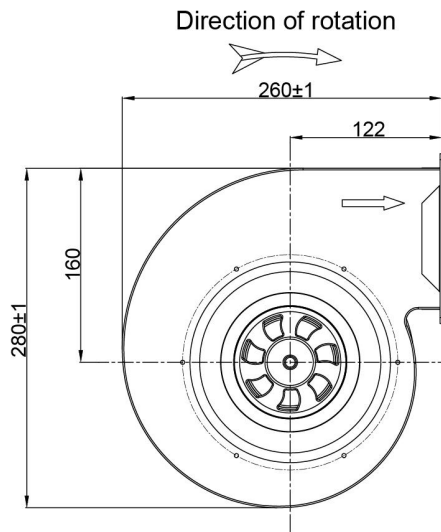
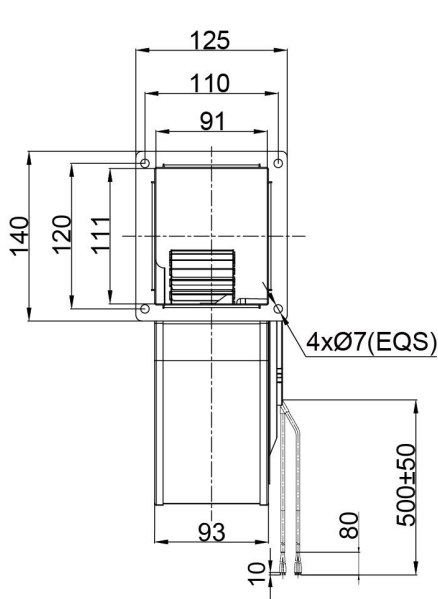


Model	Motor	Bearing System	Rated Voltage	Frequency	Rated Current	Rated Power	Rated Speed	Air Flow	Air Pressure	Sound Level
Part No.	Type	B/S	VAC	Hz	A	W	RPM	M <sup>3</sup> /H	Pa	dB(A)
PS3N180B2E-MZ0	BE92EC	BALL	230	50/60	1.55	220	1800	900	800	68

# EC Blower Single Inlet Ø180mm



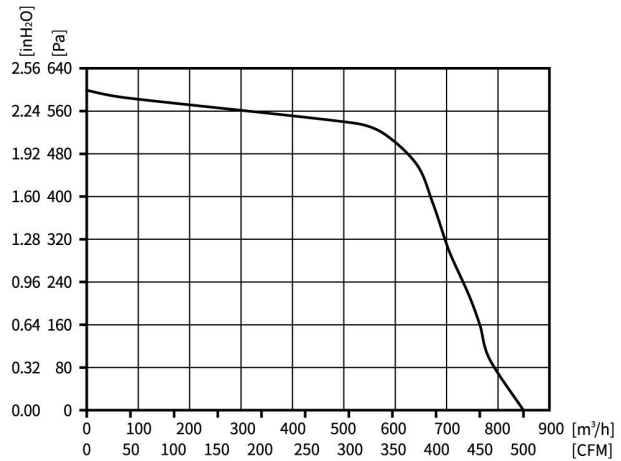
Motor Type EC BRUSHLESS EXTERNAL ROTOR MOTOR	Speed Control 0-10VDC/PWM	Protection Type IP55	Insulation Class B	Operating Temperature -25°C ~ +60°C	Weight 3.53KG	Wiring Mode E2
---	------------------------------	-------------------------	-----------------------	--	------------------	-------------------



Single Inlet Blowers

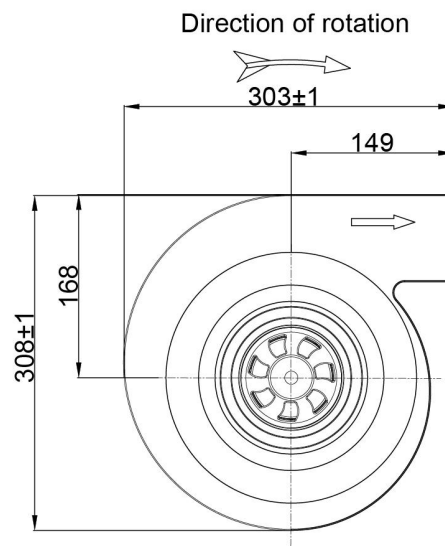
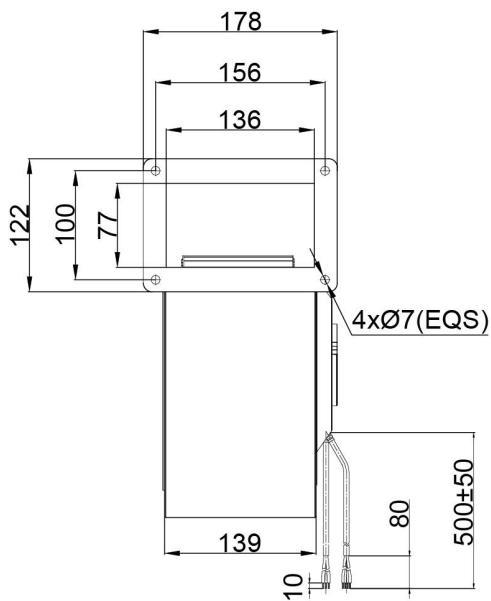
Model	Motor	Bearing System	Rated Voltage	Frequency	Rated Current	Rated Power	Rated Speed	Air Flow	Air Pressure	Sound Level
Part No.	Type	B/S	VAC	Hz	A	W	RPM	M³/H	Pa	dB(A)
PS3N180B2E-MZ1	BE92EC	BALL	230	50/60	1.5	220	2100	752	610	72

# EC Blower Single Inlet Ø200mm



Motor Type EC BRUSHLESS EXTERNAL ROTOR MOTOR	Speed Control 0-10VDC/PWM	Protection Type IP55	Insulation Class B	Operating Temperature -25°C ~ +60°C	Weight 4.3KG	Wiring Mode E2
---	------------------------------	-------------------------	-----------------------	--	-----------------	-------------------

Single Inlet Blowers



Model Part No.	Motor Type	Bearing System B/S	Rated Voltage VAC	Frequency Hz	Rated Current A	Rated Power W	Rated Speed RPM	Air Flow M <sup>3</sup> /H	Air Pressure Pa	Sound Level dB(A)
PS3N200B2E-MZ0	BE92EC	BALL	230	50/60	1.7	220	2200	850	600	74